

INNOVANT



**NEO Trading Desk**

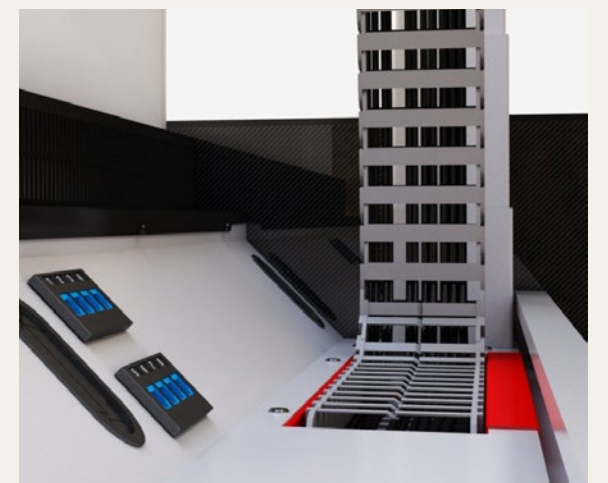
# NEO Trading Desk

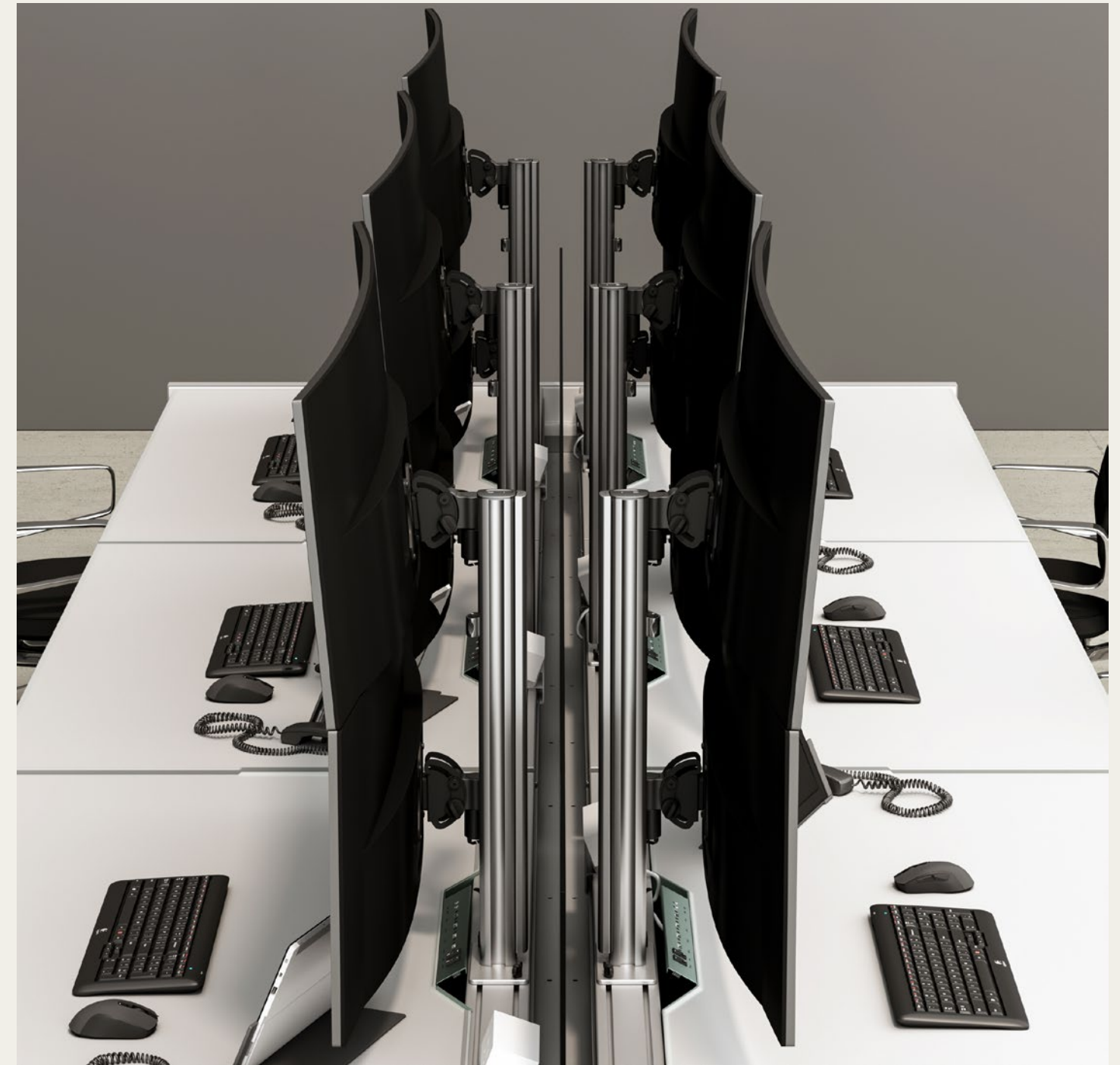
Engineered for clients demanding maximum flexibility in configuration, **NEO Trading Desks** have been specifically designed to evolve with changes in trading technology over time.





Refined engineering delivers a sophisticated approach to heat, cable and multi-circuit electrical management. **NEO** sets the industry benchmark for quality and design.





Innovant's Ag Monitor arm system is renowned for its performance, flexibility and aesthetics. From multi-screen arrays of up to 9 monitors to large screen configurations, Ag Arms are the ultimate solution for high performance technology environments.

CPU Containment



**Open**

With limited CPU specs or restrictive budgets, OPEN is a popular configuration. Instead of a CPU enclosure, this configuration covers the desk frame's transition legs with panels that conceal cabling. Thin clients can be positioned on the technology tray below the worktop, while CPUs - if any - can be suspended on slings beneath the desk or left freestanding on either the desktop or floor.



**Elevate**

Raised containment is a popular NEO configuration when deploying fewer, smaller CPUs or thin client devices. ELEVATE boasts height-selectable technology shelving with retractable access doors that create additional storage or legroom below.



**Modular**

The Freestanding Mobile Enclosure suits environments that require 1 or 2 CPUs per user. Available in 2 sizes: 8"W and 15"W (accommodating up to 2 CPUs), this configuration features open front enclosures that house typical tower or SFF CPUs. These portable units can be pulled out from under the desk for service or installation. MODULAR is also the most economical option for protecting and securing technology in a trading environment.



**MAX**

When maximum volume is required for CPU storage, NEO's full containment is advised. This configuration houses CPUs behind full-height doors, connecting the heat generated within the technology enclosure and exhausting it through the central air plenum. CPUs within MAX can be positioned on fixed shelves or carts.

## Divider Panels

Framed desk partitions provide an upscale demarcation of space and are available in a variety of materials.



Fabric



PET



Acrylic



Glass

## End Panels

Ends of desk runs can be finished with a variety of gallery panels or ancillary furniture elements.



PET



Slab

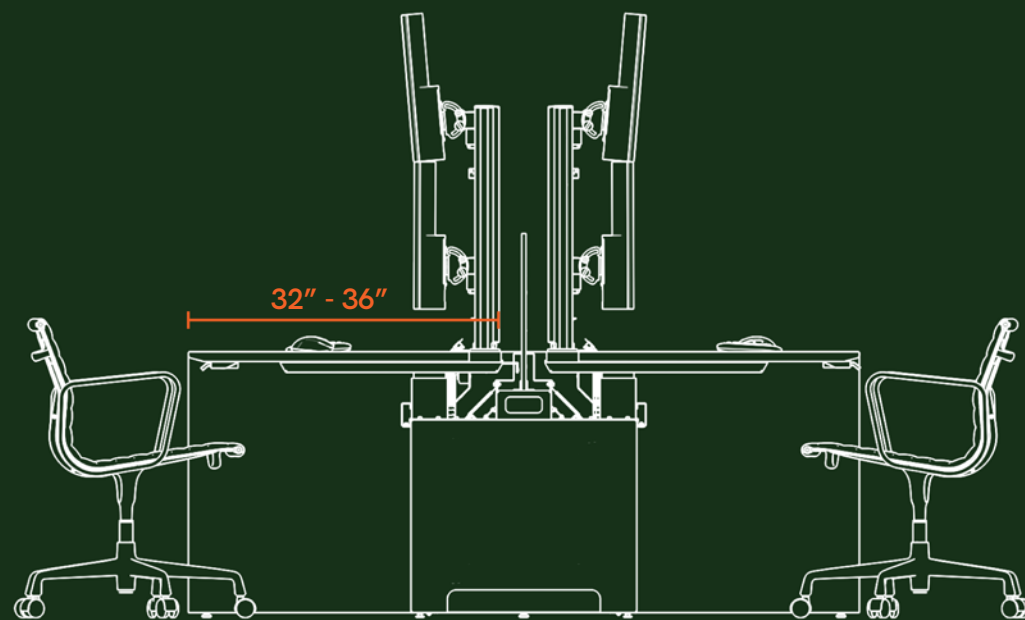
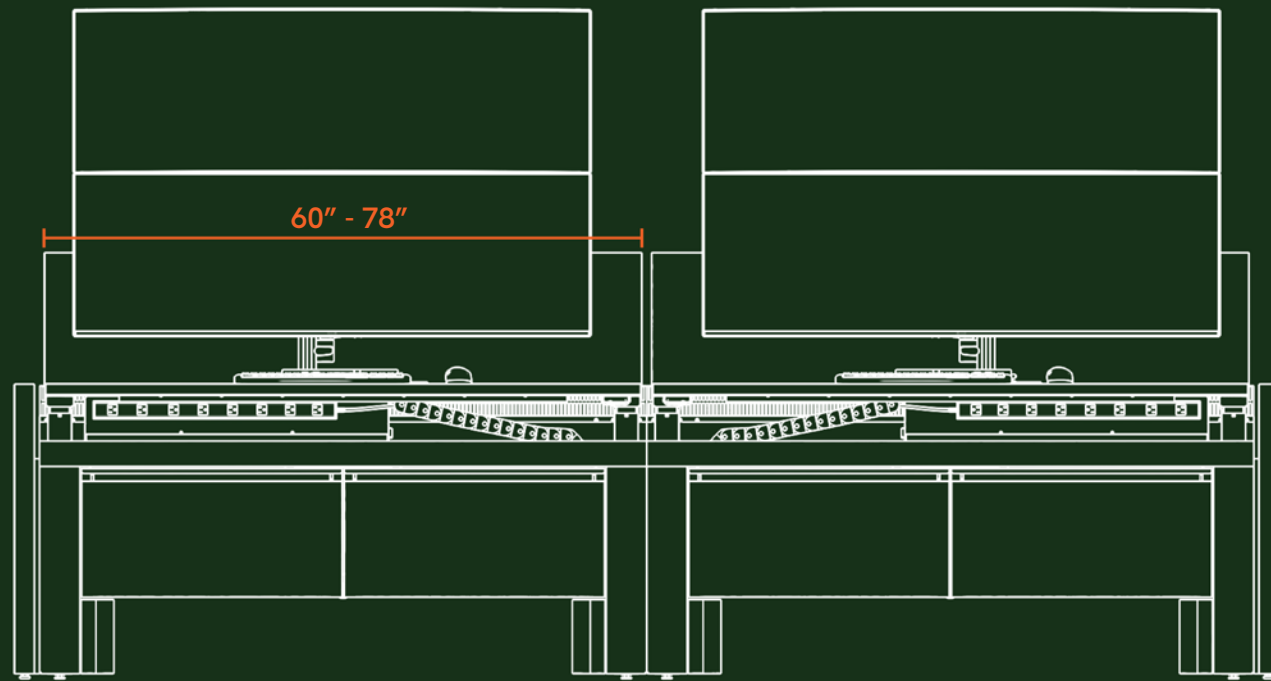


Trimmed End Panel



End Panel with Stacker

## Key Dimensions



## Powered For Purpose

Innovant's INNOV8 System is UL Recognized as an Office Furnishing Accessory (UL 1286), and is UL Listed as a Manufactured Wiring System (UL 183) in full compliance with electrical specifications found in the National Electrical Code (NEC). It also complies with municipal standards such as New York, Los Angeles & San Francisco.

NEO features concealed multi-circuit power inside the desk base is easily accessible to service via access panels.



## Surface Materials

### Available Materials

Veneer, Laminate, Powdercoat, Fabric, PET, Glass & Acrylic

Visit our website to see a full materials and finishes guide:  
[www.innovant.com/resources-library](http://www.innovant.com/resources-library)

## Sustainability

Environmental stewardship is a primary component of Innovant's core philosophy. One of our key missions is to minimize our impact on the environment and to ensure our products are environmentally sustainable. We focus on our Emissions, LEED Contribution, Ergonomics, WELL Building Standard, Environment Impact Program, and GreekLock™.

To find out more visit:  
[www.innovant.com/sustainability](http://www.innovant.com/sustainability)



Learn more about NEO Trading Desk product and the case studies.  
[www.innovant.com/product/NEO](http://www.innovant.com/product/NEO)

INNOVANT

440 Park Ave South, 9th FL  
New York, NY 10016

212.929.4883  
[info@innovant.com](mailto:info@innovant.com)  
[@innovant\\_inc](https://www.instagram.com/innovant_inc)

[innovant.com](http://innovant.com)

© 2025 Innovant, Inc. All rights reserved.